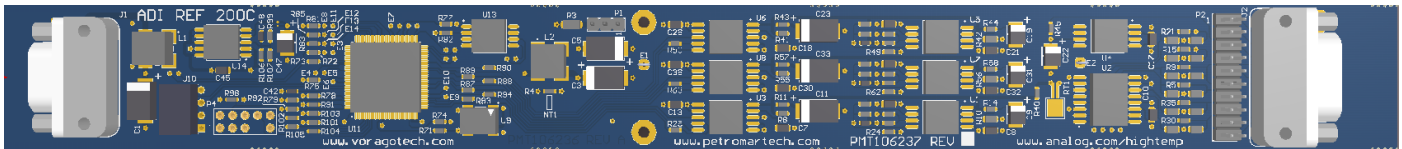


# VA10800 High Temperature Data Acquisition Evaluation and Reference Design Kit HT-DAB-1



MCU-based high temperature data acquisition system using 32-bit ARM<sup>®</sup> Cortex<sup>®</sup>-M0 processor. Suitable for rapid prototyping or as a reference design. Specified for 200°C operation.



## BOARD FEATURES

- Evaluation Board comprising of PCB and Board Support Package
  - All components and PCB rated and tested for 200°C operation
  - PCB aspect ratio suitable for downhole vessels
  - PCB dimensions – 1.0" x 11.5"
  - Micro D 15-S and D 21-S connectors
  - Three AD7981 16-bit, 600 kbps ADCs (one of the ADCs is multiplexed with eight input channels)
  - ADG798 multiplexer and ADR225 voltage reference
  - TTL UART communications
  - Boot flash, system clock and power supplies
  - 85dB SINAD using 2.5 V reference with no missing codes
  - ADC conversions down to 2.3µs for non-multiplexed channels and 10µs for multiplexed channels
  - 16 kbytes conversion result buffer
  - IDC header connector to facilitate easy probing
  - JTAG debug connector for MCU firmware programming

## SOFTWARE

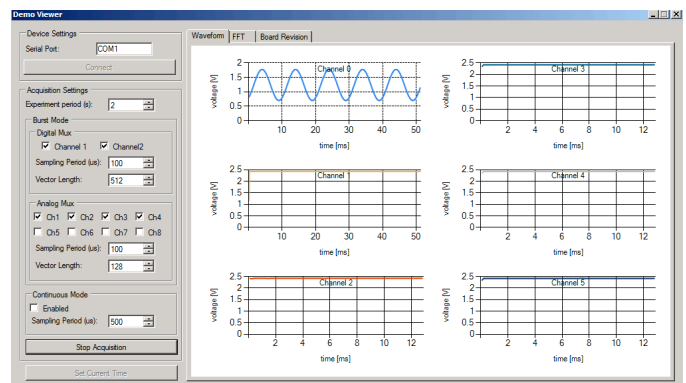
- Board Support Package (BSP)
  - Example software to demonstrate all peripherals
  - CMSIS compliant
- VA10800 supported by Keil™ MDK-ARM microcontroller software kit, IAR Systems Embedded Workbench, iSYSTEM winIDEA.
- Firmware built upon FreeRTOS operating system for simple incorporation of tasks

## KEY MCU FEATURES

- VA10800 32-bit ARM<sup>®</sup> Cortex<sup>®</sup>-M0 MCU
  - Manufactured with HARDSLIL<sup>®</sup> technology
  - Clock rate up to 50MHz
  - 32KB on-chip data SRAM
  - 128KB on-chip program memory SRAM
  - 24 general purpose counter / timers
  - 56 Dedicated general purpose I/O (GPIO) pins
  - 2 x UARTs
  - 3 SPIs (two master / slave, one master only)
  - 2 x I2Cs

## REFERENCE DESIGN SUPPORT

- PCB layout files
- VA10800 firmware source code
- PC data logging and display software (open source)
- Schematic diagram
- Bill of materials



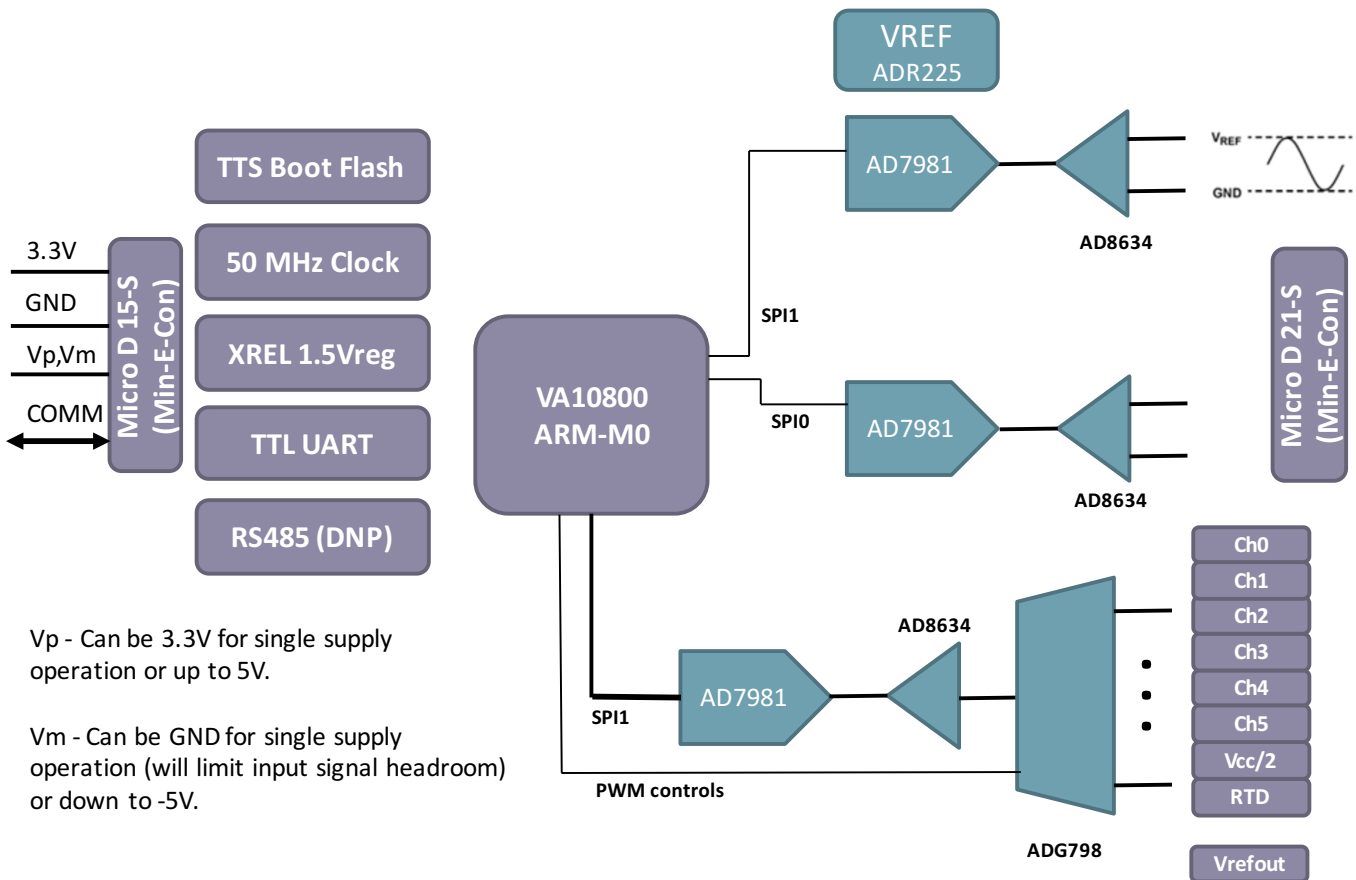
Data Capture and Analysis Software

For more information, contact below or visit our web site at [www.voragotech.com](http://www.voragotech.com)  
VORAGO Technologies | 1501 S MoPac Expressway, Suite 350, Austin, Texas, 78746 | [info@voragotech.com](mailto:info@voragotech.com)

## DEVELOPMENT BOARD ORDERING INFORMATION

Description	Part number	Features
Development Board	HT-DAB-1	VA10800 microcontroller based precision multi-channel analog sensor data acquisition and control system rated to 200 °C

## HT-DAB-1 DEVELOPMENT BOARD BLOCK DIAGRAM



For more information, contact below or visit our web site at [www.voragotech.com](http://www.voragotech.com)  
 VORAGO Technologies | 1501 S MoPac Expressway, Suite 350, Austin, Texas, 78746 | [info@voragotech.com](mailto:info@voragotech.com)