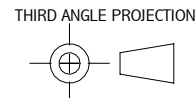


THIS IS ISSUED IN STRICT CONFIDENCE ON THE CONDITION THAT IT IS NOT USED AS A BASIS FOR MANUFACTURE OR SALE, AND THAT IT IS NOT COPIED, REPRINTED OR DISCLOSED TO ANY THIRD PARTY WITHOUT THE PRIOR WRITTEN CONSENT OF MIN-E-CON

UNLESS OTHERWISE SPECIFIED ALL DIMENSIONS ARE IN INCHES DRAWING STANDARDS ARE PER ANSI Y14.5M-1982

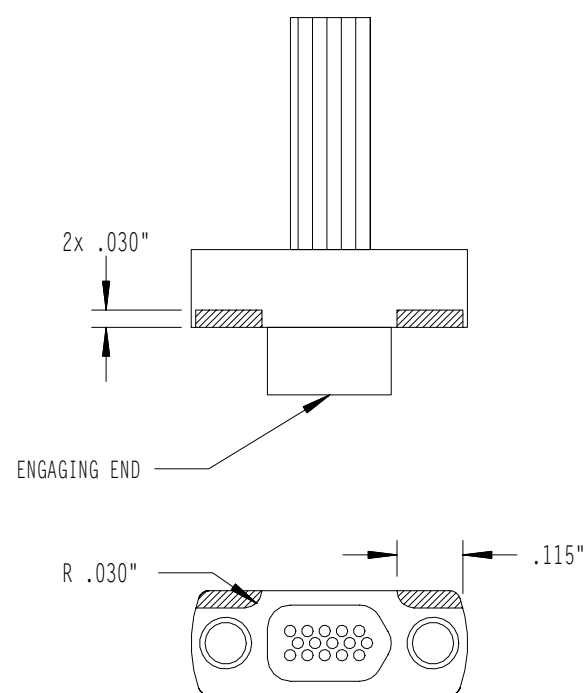


REVISIONS				
ECO	REV	DESCRIPTION	DATE	APPROVED
	X1	ENGINEERING RELEASE	5/30/08	WC

15-PIN NANO CONNECTOR OPTIONAL FEATURES AND ACCESSORIES

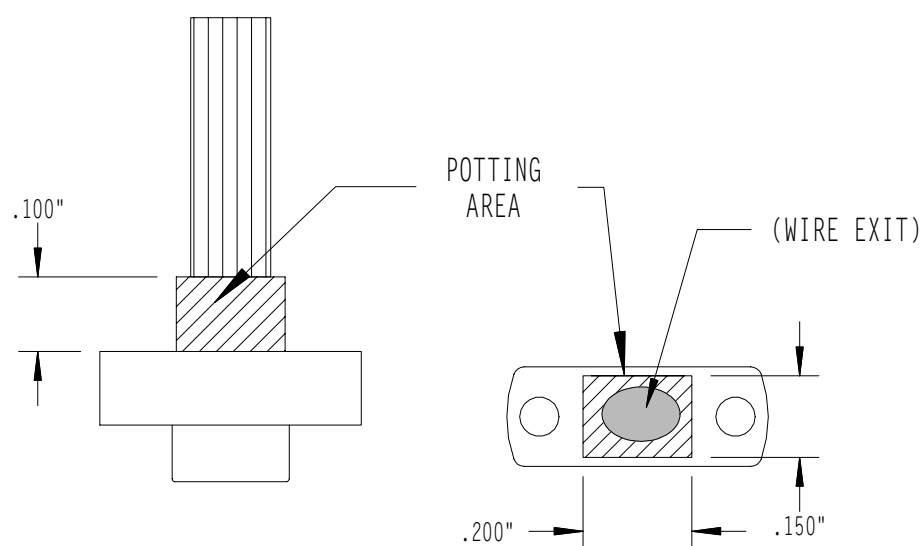
OPTION #S

PRY SLOTS



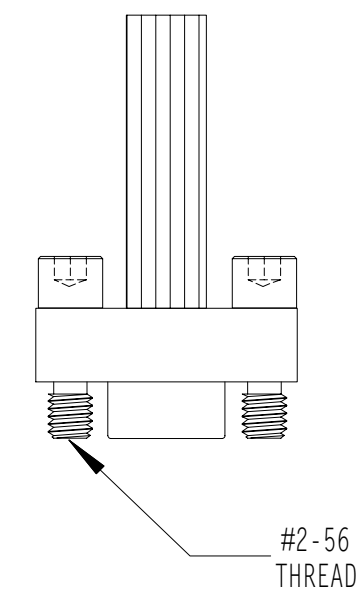
OPTION #B

EPOXY STRAIN RELIEF



OPTION #J

JACKING HARDWARE



PART NUMBER		CUSTOMER APPROVAL		
(N/A)		SIGNED:	DATE:	
INTENDED USE CUSTOMER USE		17312 EASTMAN IRVINE, CA 92614		
REFERENCE EP2008.052				
DRAWN CHARETTE		DWG TITLE OPTIONAL FEATURES AND ACCESSORIES 15-PIN NANO		
CHECKED WC	5/30/08	SIZE B	FSCM NO. 54455	DWG NO. SK080002
APPROVED WC	5/30/08	SCALE NONE	SHEET 1 of 1	REV X1