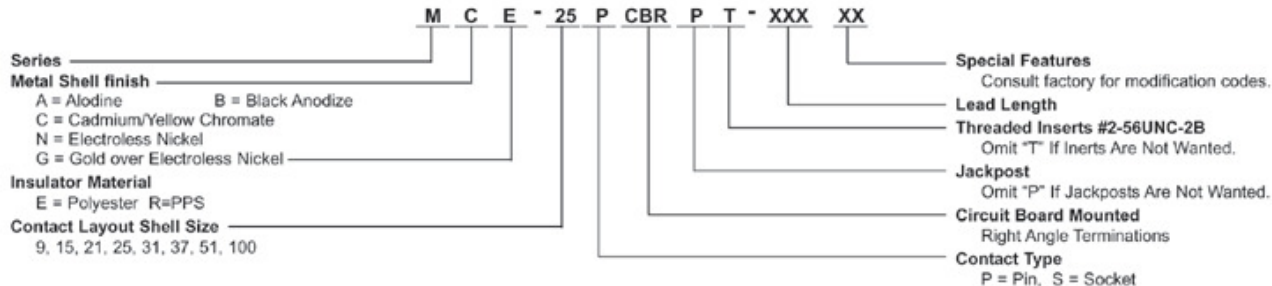
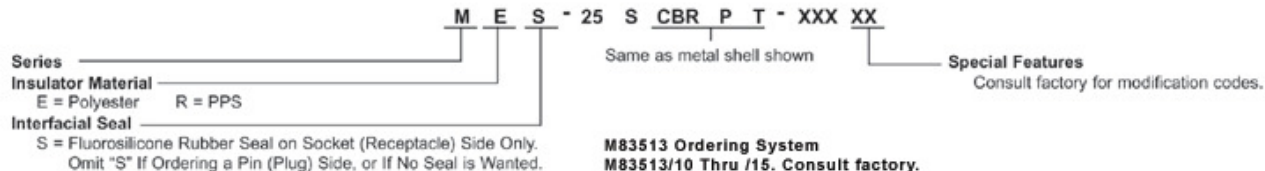


Ordering System

Metal Shell

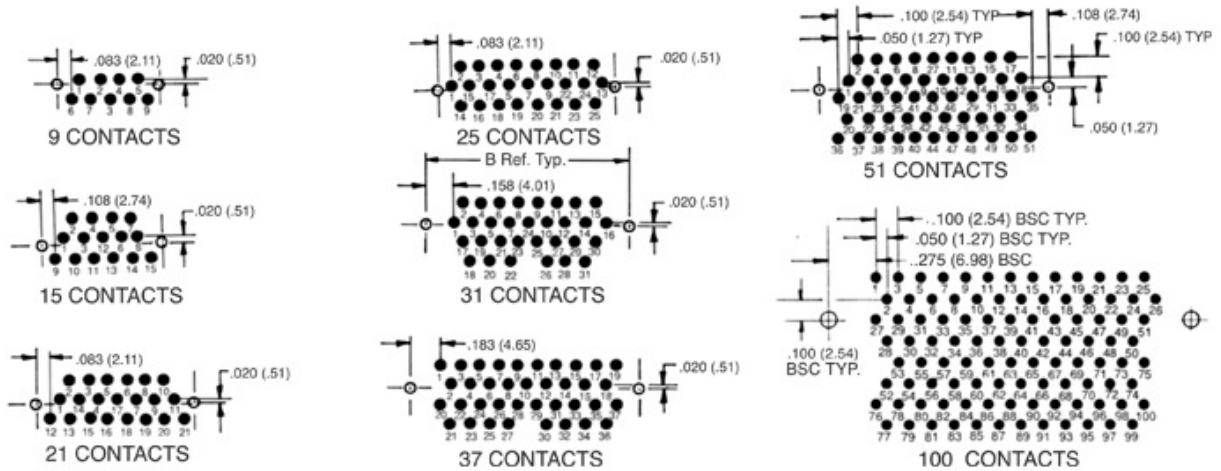


All Plastic Shell

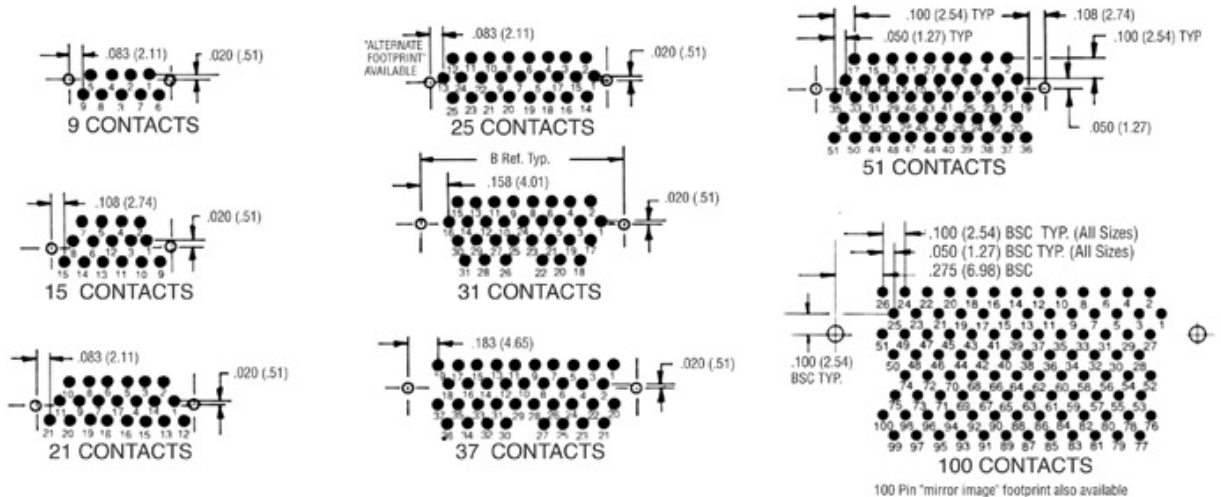


Footprint Terminations

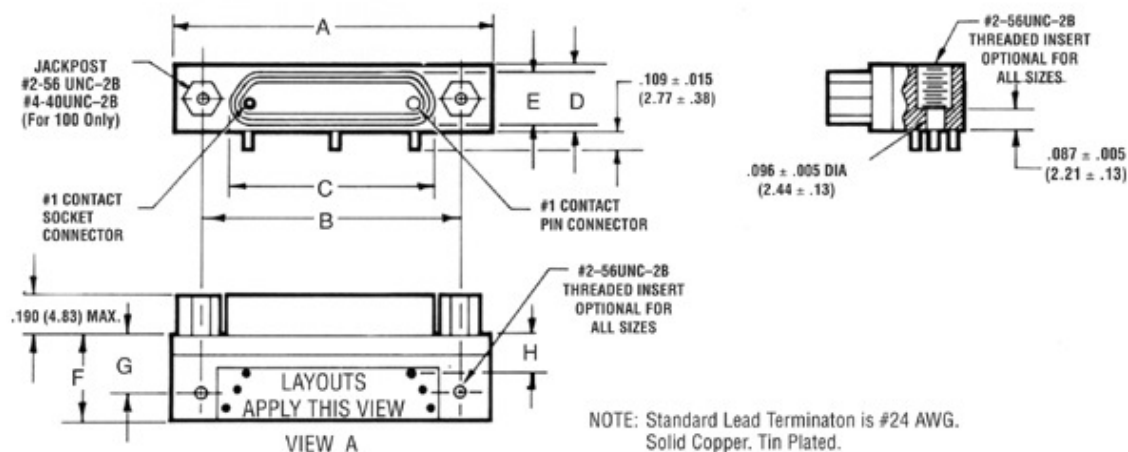
Socket (Receptacle) Terminations Applicable to View A



Pin (Plug) Terminations Applicable to View A



Dimensions/Inches (mm)



PART NUMBER BY SHELL SIZE	A MAX	B ±.005 (.13)	C MAX	D MAX	E MAX	F MAX	G ±.015 (.38)	H REF.
M**–9PCBRP	.785 (19.94)	.565 (14.35)	.334 (8.48)	.310 (7.87)	.184 (4.65)	.400 (10.16)	.230 (5.84)	.210 (5.33)
M**–9SCBRP	.785 (19.94)	.565 (14.35)	.402 (10.21)	.310 (7.87)	.252 (6.38)	.400 (10.16)	.230 (5.84)	.210 (5.33)
M**–15PCBRP	.935 (23.75)	.715 (18.16)	.484 (12.29)	.310 (7.87)	.184 (4.65)	.480 (12.19)	.330 (8.38)	.210 (5.33)
M**–15SCBRP	.935 (23.75)	.715 (18.16)	.552 (14.02)	.310 (7.87)	.252 (6.38)	.480 (12.19)	.330 (8.38)	.210 (5.33)
M**–21PCBRP	1.085 (27.56)	.865 (21.97)	.634 (16.10)	.310 (7.87)	.184 (4.65)	.480 (12.19)	.330 (8.38)	.210 (5.33)
M**–21SCBRP	1.085 (27.56)	.865 (21.97)	.702 (17.83)	.310 (7.87)	.252 (6.38)	.480 (12.19)	.330 (8.38)	.210 (5.33)
M**–25PCBRP	1.185 (30.10)	.965 (24.51)	.734 (18.64)	.310 (7.87)	.184 (4.65)	.480 (12.19)	.330 (8.38)	.210 (5.33)
M**–25SCBRP	1.185 (30.10)	.965 (24.51)	.802 (20.37)	.310 (7.87)	.252 (6.38)	.480 (12.19)	.330 (8.38)	.210 (5.33)
M**–31PCBRP	1.335 (33.91)	1.115 (28.32)	.884 (22.45)	.310 (7.87)	.184 (4.65)	.600 (15.24)	.330 (8.38)	.210 (5.33)
M**–31SCBRP	1.335 (33.91)	1.115 (28.32)	.952 (24.18)	.310 (7.87)	.252 (6.38)	.600 (15.24)	.330 (8.38)	.210 (5.33)
M**–37PCBRP	1.485 (37.72)	1.265 (32.13)	1.034 (26.26)	.310 (7.87)	.184 (4.65)	.600 (15.24)	.330 (8.38)	.210 (5.33)
M**–37SCBRP	1.485 (37.72)	1.265 (32.13)	1.102 (27.99)	.310 (7.87)	.252 (6.38)	.600 (15.24)	.330 (8.38)	.210 (5.33)
M**–51PCBRP	1.435 (36.45)	1.215 (30.86)	.984 (24.99)	.355 (9.02)	.227 (5.74)	.710 (18.03)	.360 (9.14)	.210 (5.33)
M**–51SCBRP	1.435 (36.45)	1.215 (30.86)	1.052 (26.72)	.355 (9.02)	.295 (7.47)	.710 (18.03)	.360 (9.14)	.210 (5.33)
M**–100PCBRP	2.170 (55.12)	1.800 (45.72)	1.384 (35.15)	.394 (10.01)	.270 (6.88)	1.010 (25.65)	.420 (10.67)	.210 (5.33)
M**–100SCBRP	2.170 (55.12)	1.800 (45.72)	1.498 (38.05)	.394 (10.01)	.394 (10.01)	1.010 (25.65)	.420 (10.67)	.210 (5.33)