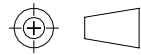


THIS IS ISSUED IN STRICT CONFIDENCE ON THE CONDITION THAT IT IS NOT USED AS A BASIS FOR MANUFACTURE OR SALE, AND THAT IT IS NOT COPIED, REPRINTED OR DISCLOSED TO ANY THIRD PARTY WITHOUT THE PRIOR WRITTEN CONSENT OF MIN-E-CON

UNLESS OTHERWISE SPECIFIED ALL DIMENSIONS ARE IN INCHES DRAWING STANDARDS ARE PER ANSI Y14.5M-1982

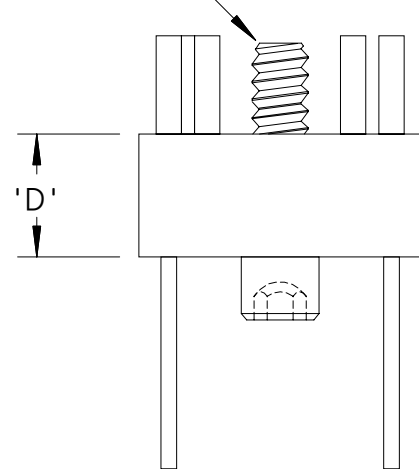
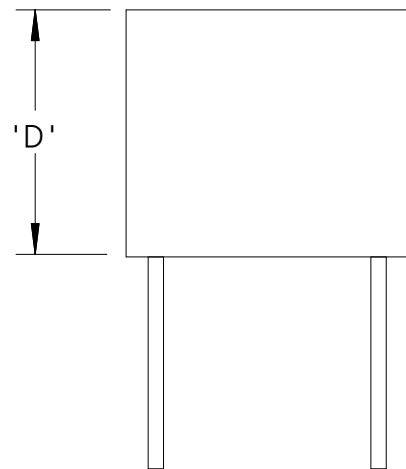
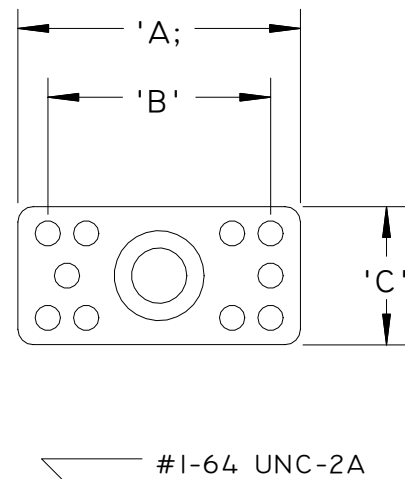
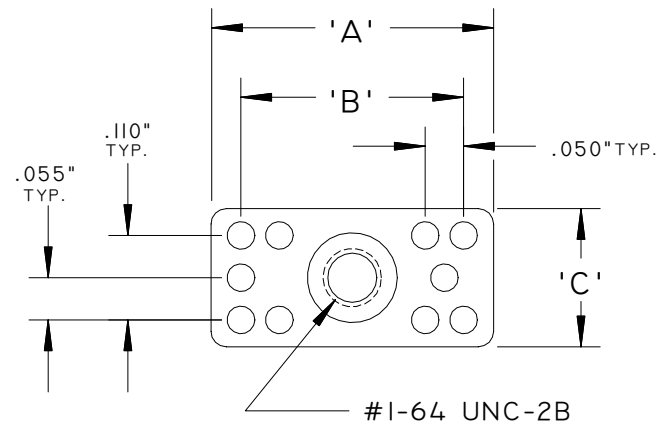
THIRD ANGLE PROJECTION



REVISIONS				
ECO	REV	DESCRIPTION	DATE	APPROVED
	A	RELEASE	23AUG01	W.C.

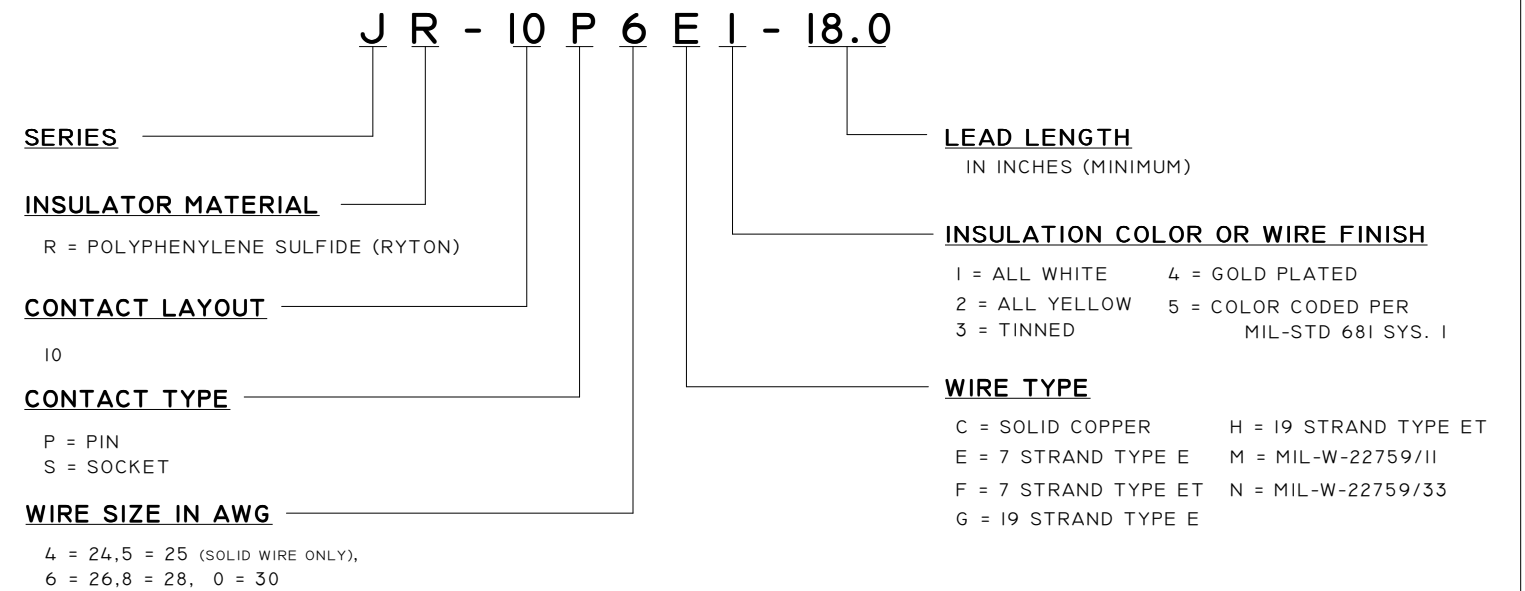
PLUG (PIN)

RECEPTACLE (SOCKET)



PART NUMBER	'A' MAX	'B' BSC	'C' MAX	'D' MAX
JR-10PXXX-X.X	.373	.290	.185	.330
JR-10SXXX-X.X	.373	.290	.185	.170

ORDERING SYSTEM



(CUSTOM WIRE CONFIGURATIONS AVAILABLE. CONSULT FACTORY REPRESENTATIVE FOR AVAILABILITY)

REFER TO MIN-E-CON CATALOG FOR GENERAL SPECIFICATIONS AND TEST DATA

INTENDED USE CUSTOMER USE				CUSTOMER USE DRAWING	
REFERENCE				DWG TITLE J SERIES CENTER JACKSCREW 10 CAVITY	
DRAWN CHARETTE		SIGNATURES		DATE	
CHECKED		SIZE B	FSCM NO. 54455	DWG NO. SK010034	REV A
APPROVED		SCALE		SHEET 1 OF 1	