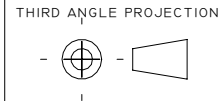
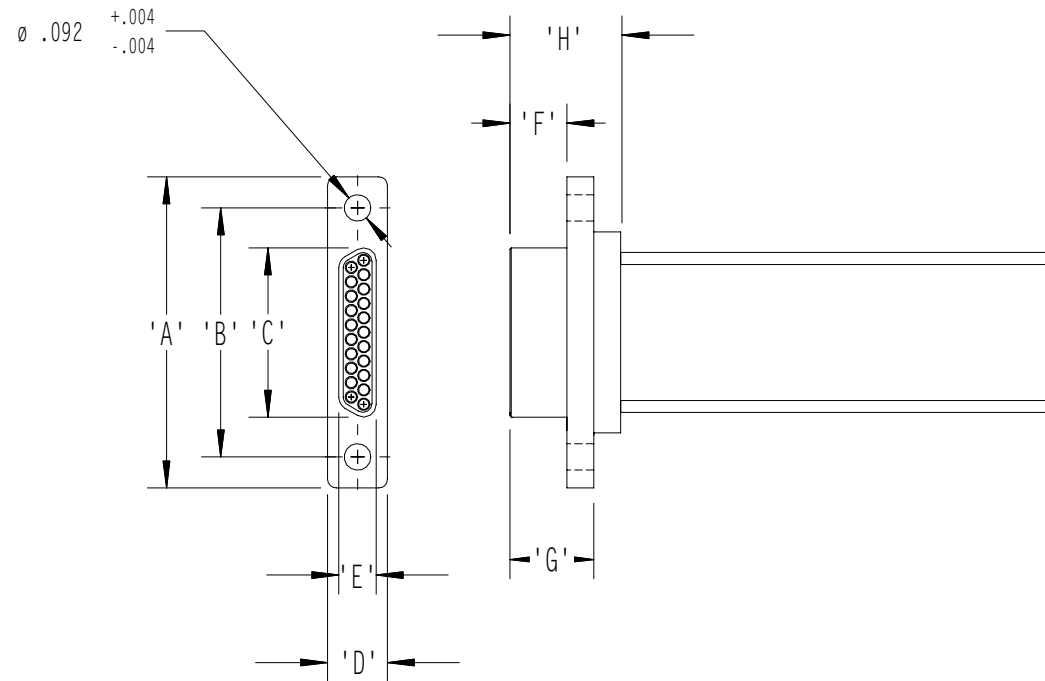


THIS IS ISSUED IN STRICT CONFIDENCE ON THE CONDITION THAT IT IS NOT USED AS A BASIS FOR MANUFACTURE OR SALE, AND THAT IT IS NOT COPIED, REPRINTED OR DISCLOSED TO ANY THIRD PARTY WITHOUT THE PRIOR WRITTEN CONSENT OF MIN-E-CON

UNLESS OTHERWISE SPECIFIED ALL DIMENSIONS ARE IN INCHES DRAWING STANDARDS ARE PER ANSI Y14.5M-1982



REVISIONS				
ECO	REV	DESCRIPTION	DATE	APPROVED
	A	RELEASE	12/15/09	WC
	B	REMOVED 51 FROM AVAILABLE SIZES	4/28/10	WC



CONN SIZE		'A'	'B'	'C'	'D'	'E'	'F'	'G'	'H'
		max	+/- .005	max	max	max	max	max	max
9	pin	.788	.565	.291	.220	.142	.204	.304	.395
	skt			.372					
15	pin	.938	.715	.441	.220	.142	.204	.304	.395
	skt			.522					
21	pin	1.088	.865	.591	.220	.142	.204	.304	.395
	skt			.672					
25	pin	1.188	.965	.691	.220	.142	.204	.304	.395
	skt			.772					
31	pin	1.338	1.115	.841	.220	.142	.204	.304	.395
	skt			.922					
37	pin	1.488	1.265	.991	.220	.142	.204	.304	.395
	skt			1.072					

ORDERING SYSTEM

DSMR-25P6E5-18.0H/01

SERIES

MOUNTING STYLE
S = SCREW MOUNT

HOUSING
M = NICKEL PLATED ALUMINUM

INSULATOR MATERIAL
R = POLYPHENYLENE SULFIDE (RYTON)

CONTACT LAYOUT (SHELL SIZE)
9, 15, 21, 25, 31, 37

CONTACT TYPE (GENDER)
P = PIN S = SOCKET

WIRE SIZE (AWG)
4 = 24 AWG
5 = 25 AWG (SOLID WIRE ONLY)
6 = 26 AWG
8 = 28 AWG
0 = 30 AWG

FACTORY MODIFICATION CODE

/01 = HIGH TEMPERATURE (200C)
BLANK = 125C

HARDWARE (OMIT IF NOT REQUIRED)

F = FLOAT MOUNT
H = LOW JACKSCREW HEX DRIVE
J = TALL JACKSCREW SLOTTED DRIVE
L = LOW JACKSCREW SLOTTED DRIVE
P = JACKPOST (SHIPPED UNASSEMBLED)

LEAD LENGTH (INCHES MINIMUM)
STRANDED WIRE = 6.0 MIN./144.0 MAX. (6 INCH INCREMENTS)
SOLID WIRE = 0.5 MIN./3.0 MAX. (0.5 INCH INCREMENTS)

WIRE INSULATION COLOR OR SOLID WIRE FINISH
1 = ALL WHITE 4 = GOLD PLATED
2 = ALL YELLOW 5 = COLOR CODED PER MIL-STD-681 SYSTEM 1
3 = TIN PLATED

WIRE TYPE
C = SOLID COPPER G = 19 STRAND TYPE 'E'
E = 7 STRAND TYPE 'E' H = 19 STRAND TYPE 'ET'
F = 7 STRAND TYPE 'ET' M = 19 STRAND - M22759/11 (26 AWG ONLY)

INTENDED USE CUSTOMER USE				17312 EASTMAN IRVINE, CA 92614	
REFERENCE				DWG TITLE CONNECTOR, MICRO 'D' LOW PROFILE METAL SHELL - CABLE MOUNTING	
SIGNATURES		DATE			
DRAWN CHARETTE		12/15/09			
CHECKED				SIZE B	FSCM NO. 54455
APPROVED				DWG NO. 00-005-0021	REV B
		SCALE NONE		SHEET 1 OF 1	

DWG NO: 00-005-0021 B