

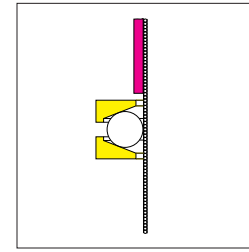
TOR-SPRING™ EMI/RFI PG Sizes

- Protection Rating: IP68; NEMA 4X
- Pressure Rating: 10 BAR; 140 psi
- Seal Rings Factory Installed
- Order EMI/RFI Locknuts Separately – See Page 61

Nickel Plated Brass (NPB)



Stripped Cable Jacket



With Polyvinylchloride (PVC) Insert

MATERIAL SPECIFICATIONS:

Body

Nickel Plated Brass (NPB)

Insert

Polyvinylchloride (PVC)

Seal Ring

Perbunan (PRB)

TEMPERATURE RANGE:

Body

-40 to 300°C (-40 to 572°F)

Insert

-20 to 80°C (-4 to 176°F)

Seal Ring

-20 to 120°C (-4 to 248°F)

INSERT COLOR:

Various

Type	Style ⁽¹⁾	Std Pk.	Cable Dia. mm (in)	Shield Dia. mm (in.)	Mtg. Hole Dia. mm (in.)	Cat. No.
PG7 - PER - NPB PVC	6.5 A	10	4.0 - 6.0 (.16-.24)	1.5 - 4.0 (.06-.16)	13.0 (.51)	21500.6
PG7 - PER - NPB PVC	9.5 A	10	6.0 - 9.5 (.24-.37)	1.5 - 6.5 (.06-.26)	13.0 (.51)	21501.6
PG9 - PER - NPB PVC	6.5 A	10	4.0 - 6.5 (.16-.26)	1.5 - 4.0 (.06-.16)	15.5 (.61)	21650.6
PG9 - PER - NPB PVC	9.5 A	10	6.5 - 9.5 (.26-.37)	2.5 - 6.5 (.10-.26)	15.5 (.61)	21651.6
PG9 - PER - NPB PVC	10.5 B	10	8.0 - 10.5 (.31-.41)	3.5 - 8.5 (.14-.33)	15.5 (.61)	21503.6
PG11 - PER - NPB PVC	9.5 A	10	6.5 - 9.5 (.26-.37)	3.5 - 8.5 (.14-.33)	19.0 (.75)	21653.6
PG11 - PER - NPB PVC	10.5 A	10	8.0 - 10.5 (.31-.41)	3.5 - 8.5 (.14-.33)	19.0 (.75)	21654.6
PG11 - PER - NPB PVC	13.0 B	10	9.0 - 13.0 (.35-.51)	6.5 - 10.5 (.26-.41)	19.0 (.75)	21684.6
PG13.5 - PER - NPB PVC	9.5 A	5	6.5 - 9.5 (.26-.37)	2.5 - 6.5 (.10-.26)	21.0 (.83)	21655.6
PG13.5 - PER - NPB PVC	10.5 A	5	7.0 - 10.5 (.27-.41)	3.0 - 8.0 (.12-.31)	21.0 (.83)	21656.6
PG13.5 - PER - NPB PVC	13.0 A	5	9.0 - 13.0 (.35-.51)	6.5 - 10.5 (.26-.41)	21.0 (.83)	21658.6
PG16 - PER - NPB PVC	9.5 A	5	6.5 - 9.5 (.26-.37)	3.5 - 8.0 (.14-.31)	23.0 (.91)	21659.6
PG16 - PER - NPB PVC	10.5 A	5	7.0 - 10.5 (.27-.41)	4.5 - 8.0 (.18-.31)	23.0 (.91)	21660.6
PG16 - PER - NPB PVC	13.0 A	5	9.0 - 13.0 (.35-.51)	4.5 - 8.0 (.18-.31)	23.0 (.91)	21661.6
PG16 - PER - NPB PVC	13.1 B	5	9.0 - 13.0 (.35-.51)	6.5 - 10.5 (.26-.41)	23.0 (.91)	21685.6
PG16 - PER - NPB PVC	15.5 B	5	11.5 - 15.5 (.45-.61)	9.5 - 13.5 (.37-.53)	23.0 (.91)	21686.6
PG16 - PER - NPB PVC	18.0 B	5	14.0 - 18.0 (.55-.71)	10.5 - 14.5 (.41-.57)	23.0 (.91)	21687.6
PG21 - PER - NPB PVC	13.0 A	3	9.0 - 13.0 (.35-.51)	5.5 - 9.5 (.22-.37)	29.0 (1.14)	21662.6
PG21 - PER - NPB PVC	15.5 A	3	11.5 - 15.5 (.45-.61)	9.5 - 13.5 (.37-.53)	29.0 (1.14)	21664.6
PG21 - PER - NPB PVC	20.0 B	3	17.0 - 20.0 (.67-.79)	13.0 - 18.0 (.51-.71)	29.0 (1.14)	21689.6
PG21 - PER - NPB PVC	25.0 B	3	20.0 - 25.0 (.79-.98)	15.0 - 21.0 (.59-.83)	29.0 (1.14)	21690.6
PG29 - PER - NPB PVC	18.0 A	2	14.0 - 18.0 (.55-.71)	13.0 - 17.0 (.51-.67)	37.5 (1.48)	21666.6
PG29 - PER - NPB PVC	20.5 A	2	17.0 - 20.5 (.67-.81)	13.0 - 18.0 (.51-.71)	37.5 (1.48)	21667.6
PG29 - PER - NPB PVC	25.0 A	2	20.0 - 25.0 (.79-.98)	15.0 - 20.0 (.59-.79)	37.5 (1.48)	21669.6
PG29 - PER - NPB PVC	28.0 B	2	24.0 - 28.0 (.94-1.10)	18.0 - 25.5 (.71-1.00)	37.5 (1.48)	21691.6
PG29 - PER - NPB PVC	32.0 B	2	27.0 - 32.0 (1.06-1.26)	24.0 - 31.0 (.94-1.22)	37.5 (1.48)	21692.6
PG29 - PER - NPB PVC	34.0 B	2	29.0 - 34.0 (1.14-1.34)	24.0 - 31.0 (.94-1.22)	37.5 (1.48)	21693.6
PG36 - PER - NPB PVC	28.0 A	1	24.0 - 28.0 (.94-1.10)	18.0 - 25.5 (.71-1.00)	47.5 (1.87)	21670.6
PG36 - PER - NPB PVC	34.0 A	1	29.0 - 34.0 (1.14-1.34)	24.0 - 31.0 (.94-1.22)	47.5 (1.87)	21672.6
PG42 - PER - NPB PVC	37.0 B	1	32.0 - 37.0 (1.26-1.45)	29.0 - 33.0 (1.14-1.30)	54.5 (2.15)	21519.6

⁽¹⁾For Styles see drawings on Page 41

Please see Page 41 for Dimensional Information

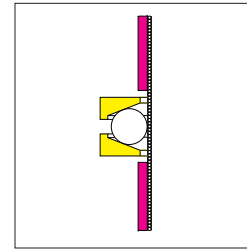
TOR-SPRING™ EMI/RFI PG Sizes

- Protection Rating: IP68; NEMA 4X
- Pressure Rating: 10 BAR; 140 psi
- Seal Rings Factory Installed
- Order EMI/RFI Locknuts Separately – See Page 61

Nickel Plated Brass (NPB)



Segmented Cable Jacket



With Polyvinylchloride (PVC) Insert

MATERIAL SPECIFICATIONS:

Body

Nickel Plated Brass (NPB)

Insert

Polyvinylchloride (PVC) / Santoprene (STP)

Seal Ring

Perbunan (PRB)

TEMPERATURE RANGE:

Body

-40 to 300°C (-40 to 572°F)

Insert

-20 to 80°C (-4 to 176°F) / -60 to 125°C (-65 to 257°F)

Seal Ring

-20 to 120°C (-4 to 248°F)

INSERT COLOR:

Various / Beige

Type	Style ⁽¹⁾	Std Pk.	Cable Dia. mm (in)	Shield Dia. mm (in.)	Mtg. Hole Dia. mm (in.)	Cat. No.
PG9 - PER - NPB PVC	6.5 B	10	4.0- 6.5 (.16-.26)	2.5- 6.0 (.10-.24)	15.5 (.61)	21680.6
PG11 - PER - NPB PVC	6.5 A	10	4.0- 6.5 (.16-.26)	2.5- 6.5 (.10-.26)	19.0 (.75)	21652.6
PG11 - PER - NPB PVC	10.5 B	10	7.0- 10.5 (.27-.41)	6.5- 10.5 (.26-.41)	19.0 (.75)	21683.6
PG13.5 - PER - NPB PVC	10.5 A	10	7.0- 10.5 (.27-.41)	6.5- 10.5 (.26-.41)	21.0 (.83)	21657.6
PG21 - PER - NPB PVC	13.0 A	3	9.0- 13.0 (.35-.51)	7.5- 12.0 (.30-.47)	29.0 (1.14)	21663.6
PG21 - PER - NPB PVC	18.0 B	3	14.0- 18.0 (.55-.71)	13.0- 17.0 (.51-.67)	29.0 (1.14)	21688.6
PG29 - PER - NPB PVC	20.5 A	2	17.0- 20.5 (.67-.81)	15.0- 20.0 (.59-.79)	37.5 (1.48)	21668.6
PG29 - PER - NPB PVC	32.0 B	2	27.0- 32.0 (1.06-1.26)	24.0- 31.0 (.94-1.22)	37.5 (1.48)	21692.6
PG36 - PER - NPB PVC	32.0 A	1	27.0- 32.0 (1.06-1.26)	24.0- 31.0 (.94-1.22)	47.5 (1.87)	21671.6

⁽¹⁾For Styles see drawings on Page 41

With Santoprene (STP) Insert

Type	Style ⁽¹⁾	Std Pk.	Cable Dia. mm (in)	Shield Dia. mm (in.)	Mtg. Hole Dia. mm (in.)	Cat. No.
PG9 - PER - NPB STP	6.0 B	10	4.0- 6.0 (.16-.24)	2.5- 6.0 (.10-.24)	15.5 (.61)	21525.6
PG11 - PER - NPB STP	6.0 B	10	4.0- 6.0 (.16-.24)	3.0- 6.0 (.12-.24)	19.0 (.75)	21526.6
PG11 - PER - NPB STP	9.0 B	10	6.0- 9.0 (.24-.35)	4.0- 8.5 (.16-.33)	19.0 (.75)	21527.6
PG13.5 - PER - NPB STP	6.0 B	10	4.0- 6.0 (.16-.24)	3.0- 6.0 (.12-.24)	21.0 (.83)	21528.6
PG13.5 - PER - NPB STP	9.0 B	10	6.0- 9.0 (.24-.35)	4.0- 8.5 (.16-.33)	21.0 (.83)	21529.6
PG16 - PER - NPB STP	10.5 B	5	6.0- 10.5 (.24-.41)	6.0- 10.5 (.24-.41)	23.0 (.91)	21530.6
PG16 - PER - NPB STP	14.0 B	5	10.0- 14.0 (.39-.55)	9.0- 13.0 (.35-.51)	23.0 (.91)	21531.6
PG21 - PER - NPB STP	10.5 B	3	6.0- 10.5 (.24-.41)	6.0- 10.5 (.24-.41)	29.0 (1.14)	21532.6
PG21 - PER - NPB STP	14.0 B	3	10.0- 14.0 (.39-.55)	7.0- 11.5 (.27-.45)	29.0 (1.14)	21533.6
PG21 - PER - NPB STP	18.0 B	3	14.0- 18.0 (.55-.71)	12.5- 17.5 (.49-.69)	29.0 (1.14)	21534.6
PG21 - PER - NPB STP	20.0 B	3	17.0- 20.0 (.67-.79)	13.0- 20.0 (.51-.79)	29.0 (1.14)	21535.6
PG29 - PER - NPB STP	23.0 B	2	19.0- 23.0 (.75-.91)	15.0- 21.0 (.59-.83)	37.5 (1.48)	21536.6

⁽¹⁾For Styles see drawings on Page 41

Please see Page 41 for Dimensional Information

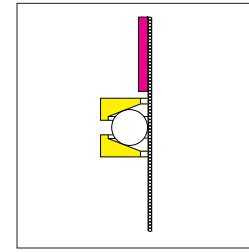
TOR-SPRING™ EMI/RFI NPT Sizes

- Protection Rating: IP68; NEMA 4X
- Pressure Rating: 10 BAR; 140 psi
- Seal Rings Factory Installed
- Order Nickel Plated Brass Locknuts Separately – See Page 60

Nickel Plated Brass (NPB)



Stripped Cable Jacket



With Polyvinylchloride (PVC) Insert

MATERIAL SPECIFICATIONS:

Body

Nickel Plated Brass

Insert

Polyvinylchloride (PVC)

Seal Ring

Perbunan (PRB)

TEMPERATURE RANGE:

Body

-40 to 300°C (-40 to 572°F)

Insert

-20 to 80°C (-4 to 176°F)

Seal Ring

-20 to 120°C (-4 to 248°F)

INSERT COLOR:

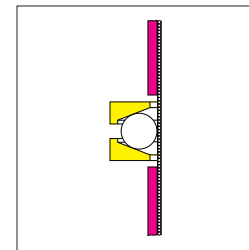
Various

Type	Std Pk.	Cable Dia. mm (in.)	Shield Dia. mm (in.)	Mtg. Hole Dia. mm (in.)	Cat. No.
NPT3/8" - PER - NPB PVC 9.5	10	6.5 - 9.5 (.26-.37)	3.5 - 8.5 (.14-.33)	17.5 (.69)	21780.6
NPT3/8" - PER - NPB PVC 10.5	10	8.0 - 10.5 (.31-.41)	3.5 - 8.5 (.14-.33)	17.5 (.69)	21781.6
NPT1/2" - PER - NPB PVC 9.5	5	6.5 - 9.5 (.26-.37)	2.5 - 6.5 (.10-.26)	21.5 (.85)	21782.6
NPT1/2" - PER - NPB PVC 10.5	5	7.0 - 10.5 (.27-.41)	3.0 - 8.0 (.12-.31)	21.5 (.85)	21783.6
NPT1/2" - PER - NPB PVC 13.0	5	9.0 - 13.0 (.35-.51)	6.5 - 10.5 (.26-.41)	21.5 (.85)	21784.6
NPT3/4" - PER - NPB PVC 13.0	3	9.0 - 13.0 (.35-.51)	5.5 - 9.5 (.22-.37)	27.0 (1.06)	21785.6
NPT3/4" - PER - NPB PVC 15.5	3	11.5 - 15.5 (.45-.61)	9.5 - 13.5 (.37-.53)	27.0 (1.06)	21786.6
NPT3/4" - PER - NPB PVC 18.0	3	14.0 - 18.0 (.55-.71)	10.5 - 14.5 (.41-.57)	27.0 (1.06)	21787.6
NPT1" - PER - NPB PVC 18.0	2	14.0 - 18.0 (.55-.71)	13.0 - 17.0 (.51-.67)	33.5 (1.32)	21788.6
NPT1" - PER - NPB PVC 20.5	2	17.0 - 20.5 (.67-.81)	13.0 - 18.0 (.51-.71)	33.5 (1.32)	21789.6
NPT1" - PER - NPB PVC 25.0	2	20.0 - 25.0 (.79-.98)	15.0 - 20.0 (.59-.79)	33.5 (1.32)	21790.6

Nickel Plated Brass (NPB)



Segmented Cable Jacket



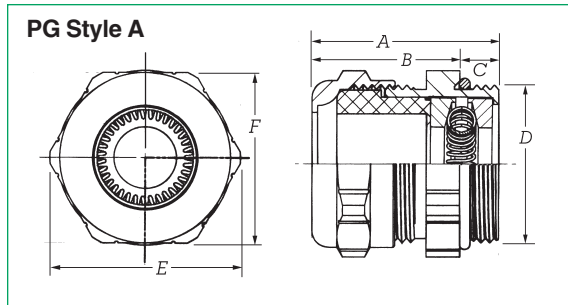
With Polyvinylchloride (PVC) Insert

Type	Std Pk.	Cable Dia. mm (in.)	Shield Dia. mm (in.)	Mtg. Hole Dia. mm (in.)	Cat. No.
NPT3/8" - PER - NPB PVC 6.5	10	4.0 - 6.5 (.16-.26)	2.5 - 6.5 (.10-.26)	17.5 (.69)	21791.6
NPT1/2" - PER - NPB PVC 10.5	5	7.0 - 10.5 (.27-.41)	6.5 - 10.5 (.26-.41)	21.5 (.85)	21792.6
NPT3/4" - PER - NPB PVC 13.0	3	9.0 - 13.0 (.35-.51)	7.5 - 12.0 (.30-.47)	27.0 (1.06)	21793.6
NPT1" - PER - NPB PVC 20.5	2	17.0 - 20.5 (.67-.81)	15.0 - 20.0 (.59-.79)	33.5 (1.32)	21794.6

TOR-SPRING™ EMI/RFI Cord Grip Dimensions – PG and NPT Sizes

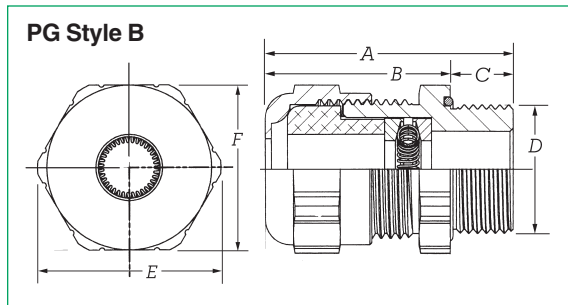
TOR-SPRING™ EMI/RFI Cord Grips with PG-External Thread are manufactured in (2) Body Styles – A and B. PG Body Style A features a compact configuration and standard external thread length while PG Body Style B features an extended external thread length (See Dimensional Information below for differences). Also, refer to the "Style" columns on Ordering Pages 38 and 39.

NPT Size TOR-SPRING™ EMI/RFI Cord Grips are offered in one body style and feature a longer length external thread.



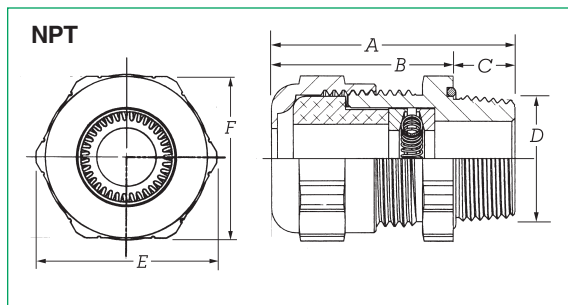
Dimensions Style A - mm (in.)

Size	A	B	C	D	E	F
PG7	25.0 (.98)	20.0 (.79)	5.0 (.20)	12.5 (.49)	14.0	15.5 (.61)
PG9	26.0 (1.02)	20.0 (.79)	6.0 (.24)	15.2 (.60)	17.0	18.9 (.74)
PG11	26.0 (1.02)	20.0 (.79)	6.0 (.24)	18.6 (.73)	20.0	22.2 (.87)
PG13.5	27.5 (1.08)	21.0 (.83)	6.5 (.26)	20.4 (.80)	22.0	24.4 (.96)
PG16	27.5 (1.08)	21.0 (.83)	6.5 (.26)	22.5 (.89)	24.0	26.7 (1.05)
PG21	32.0 (1.26)	25.0 (.98)	7.0 (.28)	28.3 (1.11)	30.0	33.5 (1.32)
PG29	35.0 (1.38)	27.0 (1.06)	8.0 (.31)	37.0 (1.46)	40.0	43.5 (1.71)
PG36	37.0 (1.46)	28.0 (1.10)	9.0 (.35)	47.0 (1.85)	50.0	54.0 (2.24)



Dimensions Style B - mm (in.)

Size	A	B	C	D	E	F
PG9	41.0 (1.61)	31.0 (1.22)	10.0 (.39)	15.2 (.60)	24.0	26.7 (1.05)
PG11	41.0 (1.61)	31.0 (1.22)	10.0 (.39)	18.6 (.73)	24.0	26.7 (1.05)
PG13.5	41.0 (1.61)	31.0 (1.22)	10.0 (.39)	20.4 (.80)	24.0	26.7 (1.05)
PG16	43.0 (1.70)	32.0 (1.26)	11.0 (.43)	22.5 (.89)	30.0	33.5 (1.32)
PG21	46.0 (1.73)	34.0 (1.34)	12.0 (.47)	28.3 (1.11)	30.0	33.5 (1.32)
PG29	52.0 (2.05)	39.0 (1.54)	13.0 (.51)	37.0 (1.46)	40.0	43.5 (1.71)
PG36	59.0 (2.32)	45.0 (1.77)	14.0 (.55)	47.0 (1.85)	50.0	54.0 (2.13)
PG42	65.0 (2.56)	50.0 (1.97)	15.0 (.59)	54.0 (2.13)	60.0	65.0 (2.56)



Dimensions NPT Sizes - mm (in.)

Size	A	B	C	D	E	F
NPT 3/8"	41.0 (1.61)	28.0 (1.10)	13.0 (.51)	17.2 (.68)	20.0	22.2 (.87)
NPT 1/2"	44.0 (1.73)	28.0 (1.10)	16.0 (.63)	21.3 (.84)	24.0	26.7 (1.05)
NPT 3/4"	50.0 (1.97)	34.0 (1.34)	16.0 (.63)	26.7 (1.05)	30.0	33.5 (1.32)
NPT 1"	58.0 (2.28)	38.0 (1.50)	20.0 (.79)	33.3 (1.31)	40.0	43.5 (1.71)