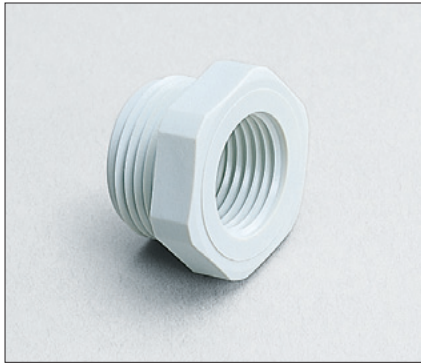
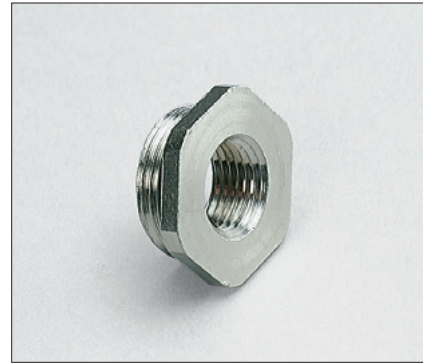


REDUCTIONS Polyamide (PA)



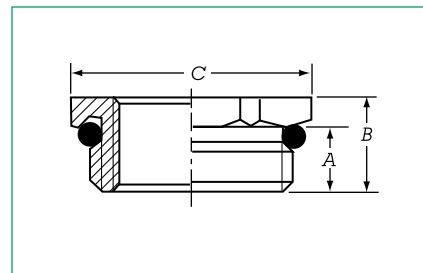
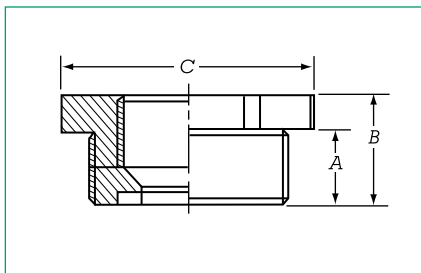
REDUCTIONS Nickel Plated Brass (NPB)



MATERIAL: Polyamide (PA)
TEMPERATURE RANGE: -20 to 100°C (-4 to 212°F)
COLOR: Light Gray
SEAL RINGS: Order Separately (see page 62)

Nickel Plated Brass (NPB)
-40 to 300°C (-40 to 572°F)
 -
Factory Installed

External Thread	Internal Thread	Cat. No.	Dimensions mm*			Std. Pk.	External Thread	Internal Thread	Cat. No.	Dimensions mm*			Std. Pk.
			A	B	C					A	B	C	
PG11	PG7	22931.9	8.0	12.0	22.0	100	PG9	PG7	22800.9	6.0	8.5	18.0	100
PG13.5	PG7	22933.9	9.0	12.0	24.0	100	PG11	PG7	22801.9	6.0	8.5	20.0	100
PG13.5	PG9	22934.9	9.0	12.0	24.0	100	PG11	PG9	22802.9	6.0	8.5	20.0	100
PG16	PG9	22936.9	10.0	12.0	27.0	100	PG13.5	PG7	22803.9	6.5	9.5	20.0	100
PG16	PG11	22937.9	10.0	15.0	27.0	100	PG13.5	PG9	22804.9	6.5	9.5	24.0	100
PG21	PG11	22939.9	10.5	15.0	32.0	100	PG13.5	PG11	22805.9	6.5	9.5	24.0	100
PG21	PG13.5	22940.9	10.5	15.5	32.0	100	PG16	PG7	22806.9	6.5	9.5	24.0	100
PG21	PG16	22941.9	10.5	16.0	32.0	100	PG16	PG9	22807.9	6.5	9.5	24.0	100
PG29	PG13.5	22942.9	12.0	17.0	39.0	50	PG16	PG11	22808.9	6.5	9.5	24.0	100
PG29	PG16	22943.9	12.0	17.5	39.0	50	PG16	PG13.5	22809.9	6.5	9.5	24.0	100
PG29	PG21	22944.9	12.0	18.5	40.0	50	PG21	PG11	22810.9	7.0	10.0	32.0	100
PG36	PG16	22945.9	13.0	16.0	50.0	50	PG21	PG13.5	22811.9	7.0	10.0	32.0	100
PG36	PG21	22946.9	13.0	18.5	50.0	50	PG21	PG16	22812.9	7.0	10.0	32.0	50
PG36	PG29	22947.9	18.0	22.5	50.0	50	PG29	PG13.5	22813.9	8.0	11.5	41.0	50
PG42	PG21	22948.9	16.0	22.5	55.0	25	PG29	PG16	22814.9	8.0	11.5	41.0	50
PG42	PG29	22949.9	16.0	18.5	55.0	25	PG29	PG21	22815.9	8.0	11.5	41.0	50
PG42	PG36	22950.9	17.0	25.5	55.0	25	PG36	PG21	22816.9	9.0	12.5	50.0	25
PG48	PG29	22951.9	17.0	24.0	60.0	10	PG36	PG29	22817.9	9.0	12.5	50.0	25
PG48	PG36	22952.9	17.0	25.5	60.0	10	PG42	PG29	22818.9	10.0	14.0	60.0	25
PG48	PG42	22953.9	17.0	26.0	60.0	10	PG42	PG36	22819.9	10.0	14.0	60.0	25
-	-	-	-	-	-	-	PG48	PG29	22820.9	10.0	14.0	64.0	10
-	-	-	-	-	-	-	PG48	PG36	22821.9	10.0	14.0	64.0	10



*Millimeter (mm) to Inch Conversion: mm ÷ 25.4 = inches, inches x 25.4 = mm

ENLARGERS Polyamide (PA)



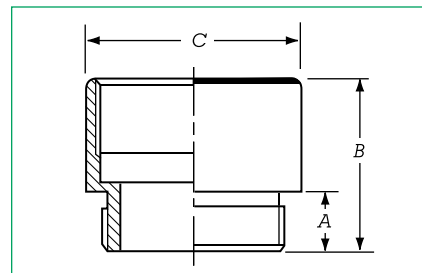
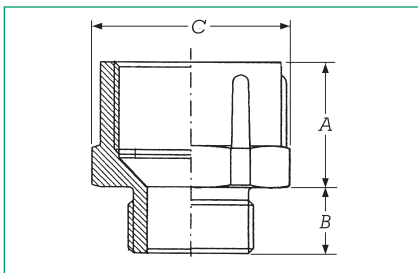
Polyamide (PA)
-20 to 100°C (-4 to 212°F)
Light Gray
Order Separately (see page 62)

ENLARGERS Nickel Plated Brass (NPB)



Nickel Plated Brass (NPB)
-40 to 300°C (-40 to 572°F)
—
Order Separately (see page 62)

External Thread	Internal Thread	Cat. No.	Dimensions mm*			Std. Pk.	External Thread	Internal Thread	Cat. No.	Dimensions mm*			Std. Pk.
			A	B	C					A	B	C	
PG7	PG9	22956.9	7.4	17.7	19.0	100	PG7	PG9	22866.9	5.0	15.0	17.0	100
PG9	PG11	22957.9	8.0	20.0	22.0	100	PG9	PG11	22867.9	6.0	16.5	20.0	100
PG11	PG13.5	22958.9	8.0	20.0	24.0	100	PG9	PG13.5	22868.9	6.0	16.5	22.0	100
PG11	PG16	22959.9	8.0	20.5	27.0	100	PG11	PG13.5	22869.9	6.0	17.5	22.0	100
PG13.5	PG16	22960.9	8.0	20.0	27.0	100	PG11	PG16	22870.9	6.0	17.5	24.0	100
PG16	PG21	22961.9	9.0	23.0	32.0	100	PG11	PG21	22871.9	6.0	17.5	30.0	100
PG21	PG29	22962.9	10.0	25.0	42.0	50	PG13.5	PG16	22872.9	6.5	19.0	24.0	100
PG29	PG36	22963.9	10.0	29.3	53.0	25	PG13.5	PG21	22873.9	6.5	19.0	30.0	100
PG36	PG42	22964.9	13.0	36.5	60.0	10	PG16	PG21	22874.9	6.5	21.0	30.0	100
PG42	PG48	22965.9	13.0	36.5	65.0	10	PG16	PG29	22875.9	6.5	21.0	39.0	50
—	—	—	—	—	—	—	PG21	PG29	22876.9	7.0	23.0	39.0	50
—	—	—	—	—	—	—	PG29	PG36	22877.9	8.0	27.5	50.0	25
—	—	—	—	—	—	—	PG36	PG42	22878.9	9.0	31.0	50.0	10
—	—	—	—	—	—	—	PG42	PG48	22879.9	10.0	33.0	64.0	10
—	—	—	—	—	—	—	—	—	—	—	—	—	—
—	—	—	—	—	—	—	—	—	—	—	—	—	—
—	—	—	—	—	—	—	—	—	—	—	—	—	—
—	—	—	—	—	—	—	—	—	—	—	—	—	—
—	—	—	—	—	—	—	—	—	—	—	—	—	—
—	—	—	—	—	—	—	—	—	—	—	—	—	—
—	—	—	—	—	—	—	—	—	—	—	—	—	—
—	—	—	—	—	—	—	—	—	—	—	—	—	—
—	—	—	—	—	—	—	—	—	—	—	—	—	—



*Millimeter (mm) to Inch Conversion: mm ÷ 25.4 = inches, inches x 25.4 = mm

ADAPTERS PG TO NPT Nickel Plated Brass (NPB)



ADAPTERS NPT TO PG Nickel Plated Brass (NPB)

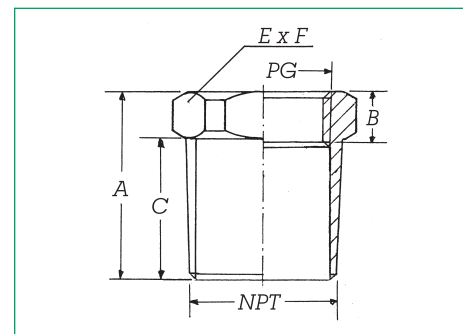
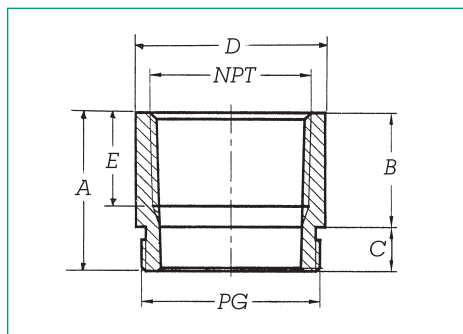


MATERIAL: Nickel Plated Brass (NPB)
TEMPERATURE RANGE: 40 to 300°C (-40 to 572°F)
COLOR: -
SEAL RINGS: Order Separately (see page 62)

MATERIAL: Nickel Plated Brass (NPB)
TEMPERATURE RANGE: -40 to 300°C (-40 to 572°F)
COLOR: -
SEAL RINGS: Order Separately (see page 62)

Type	Cat. No.	Std. Pk.
PG11/ NPT 3/8"-AP-NPB	22890.9	100
PG11/ NPT 1/2"-AP-NPB	22891.9	100
PG13.5/ NPT 1/2"-AP-NPB	22892.9	100
PG16/ NPT 1/2"-AP-NPB	22893.9	100
PG21/ NPT 3/4"-AP-NPB	22894.9	100
PG29/ NPT 1"-AP-NPB	22895.9	25
PG36/ NPT 1.1/4"-AP-NPB	22896.9	10
PG42/ NPT 1.1/2"-AP-NPB	22897.9	10

Type	Cat. No.	Std. Pk.
NPT 3/8" / PG7-AN-NPB	22900.9	50
NPT 1/2" / PG9-AN-NPB	22901.9	50
NPT 1/2" / PG11-AN-NPB	22902.9	50
NPT 1/2" / PG13.5-AN-NPB	22903.9	50
NPT 3/4" / PG13.5-AN-NPB	22904.9	50
NPT 3/4" / PG16-AN-NPB	22905.9	50
NPT 1" / PG21-AN-NPB	22906.9	10
NPT 1.1/4" / PG29-AN-NPB	22907.9	10
NPT 1.1/2" / PG36-AN-NPB	22908.9	10
NPT 2" / PG48-AN-NPB	22909.9	10



Dimensions: mm (in.) Nickel Plated Brass (NPB)

External Thread	Internal Thread	A	B	C	D	E
PG11	NPT 3/8"	20.0 (.79)	14.5 (.57)	5.5 (.22)	20.0 (.79)	13.0 (.51)
PG11	NPT 1/2"	24.5 (.96)	18.0 (.71)	6.5 (.26)	24.0 (.94)	15.0 (.59)
PG13.5	NPT 1/2"	24.5 (.96)	18.0 (.71)	6.0 (.24)	24.0 (.94)	15.0 (.59)
PG16	NPT 1/2"	24.5 (.96)	18.0 (.71)	6.0 (.24)	24.0 (.94)	15.0 (.59)
PG21	NPT 3/4"	25.0 (.98)	18.0 (.71)	6.5 (.26)	25.0 (.98)	15.0 (.59)
PG29	NPT 1"	26.0 (1.02)	18.0 (.71)	7.5 (.30)	39.0 (1.54)	15.0 (.59)
PG36	NPT 1-1/4"	29.0 (1.14)	20.0 (.79)	8.5 (.33)	50.0 (1.97)	15.0 (.59)
PG42	NPT 1-1/2"	28.0 (1.10)	18.0 (.71)	9.5 (.37)	57.0 (2.24)	17.0 (.67)

Dimensions: mm (in.) Nickel Plated Brass (NPB)

External Thread	Internal Thread	A	B	C	E	F
NPT 3/8"	PG7	20.0 (.79)	8.0 (.31)	15.0 (.59)	19.0	21.3 (.84)
NPT 1/2"	PG9	20.0 (.79)	10.0 (.39)	15.0 (.59)	22.0	24.1 (.95)
NPT 1/2"	PG11	28.0 (1.10)	8.0 (.31)	20.0 (.79)	22.0	25.0 (.98)
NPT 1/2"	PG13.5	30.0 (1.18)	9.0 (.35)	20.0 (.79)	24.0	26.9 (1.06)
NPT 3/4"	PG13.5	32.0 (1.26)	11.0 (.43)	18.0 (.71)	29.0	32.4 (1.28)
NPT 3/4"	PG16	32.0 (1.26)	13.5 (.53)	18.0 (.71)	29.0	32.4 (1.28)
NPT 1"	PG21	35.0 (1.38)	10.0 (.39)	25.0 (.98)	36.0	40.6 (1.60)
NPT 1-1/4"	PG29	35.0 (1.38)	13.0 (.51)	25.0 (.98)	46.0	52.9 (2.01)
NPT 1-1/2"	PG36	44.0 (1.73)	14.0 (.55)	26.0 (1.02)	52.0	59.9 (2.34)
NPT 2"	PG48	52.0 (2.05)	17.0 (.67)	30.0 (1.18)	64.0	73.5 (2.28)

THREADED PLUGS Polyamide (PA)



Polyamide (PA)

-20 to 100°C (-4 to 212°F)

Light Gray

Order Separately (see page 62)

THREADED PLUGS Nickel Plated Brass (NPB)



Nickel Plated Brass (NPB)

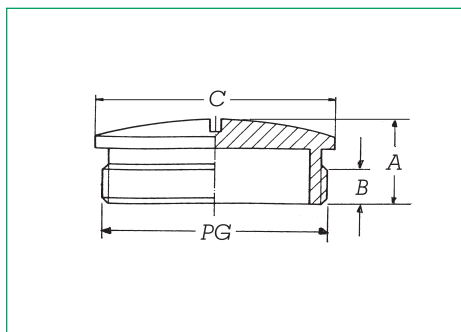
-40 to 300°C (-40 to 572°F)

-

Factory Installed

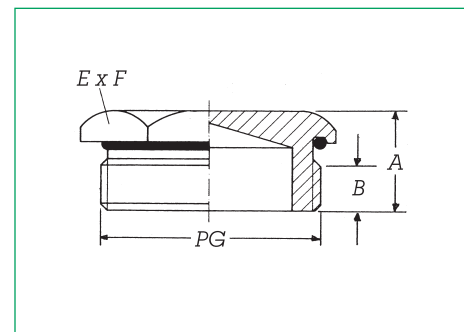
Type	Cat. No.	Std. Pk.
PG7-TP-PA	23140.9	100
PG9-TP-PA	23141.9	100
PG11-TP-PA	23142.9	100
PG13.5-TP-PA	23143.9	100
PG16-TP-PA	23144.9	100
PG21-TP-PA	23145.9	100
PG29-TP-PA	23146.9	100
PG36-TP-PA	23147.9	50
PG42-TP-PA	23148.9	50
PG48-TP-PA	23149.9	50

Type	Cat. No.	Std. Pk.
PG7-TP-NPB	23100.9	100
PG9-TP-NPB	23101.9	100
PG11-TP-NPB	23102.9	100
PG13.5-TP-NPB	23103.9	100
PG16-TP-NPB	23104.9	100
PG21-TP-NPB	23105.9	100
PG29-TP-NPB	23106.9	50
PG36-TP-NPB	23107.9	25
PG42-TP-NPB	23108.9	25
PG48-TP-NPB	23109.9	10



Dimensions: mm (in.) Polyamide (PA)

Size	A	B	C
PG7	10.0 (.39)	6.0 (.24)	15.0 (.59)
PG9	10.0 (.39)	6.0 (.24)	19.0 (.75)
PG11	10.0 (.39)	6.0 (.24)	22.0 (.87)
PG13.5	10.0 (.39)	6.0 (.24)	25.0 (.98)
PG16	10.0 (.39)	6.0 (.24)	27.0 (1.06)
PG21	12.5 (.49)	8.0 (.31)	33.0 (1.30)
PG29	11.5 (.45)	7.5 (.30)	44.5 (1.75)
PG36	15.0 (.59)	10.0 (.39)	55.5 (2.19)
PG42	15.0 (.59)	9.5 (.37)	62.5 (2.46)
PG48	17.0 (.67)	11.8 (.46)	69.7 (2.74)



Dimensions: mm (in.) Nickel Plated Brass (NPB)

Size	A	B	E	F
PG7	8.2 (.32)	4.5 (.18)	14.0	16.0 (.63)
PG9	9.6 (.38)	4.5 (.18)	17.0	19.5 (.77)
PG11	9.3 (.37)	4.5 (.18)	20.0	22.8 (.90)
PG13.5	9.6 (.38)	6.0 (.24)	22.0	25.2 (.99)
PG16	9.6 (.38)	6.0 (.24)	24.0	27.6 (1.09)
PG21	11.0 (.43)	6.0 (.24)	30.0	34.6 (1.36)
PG29	12.0 (.47)	8.0 (.31)	40.0	45.0 (1.77)
PG36	15.0 (.59)	9.0 (.35)	50.0	57.5 (2.26)
PG42	16.0 (.63)	10.0 (.39)	57.0	63.0 (2.48)
PG48	16.0 (.63)	10.0 (.39)	64.0	69.0 (2.72)